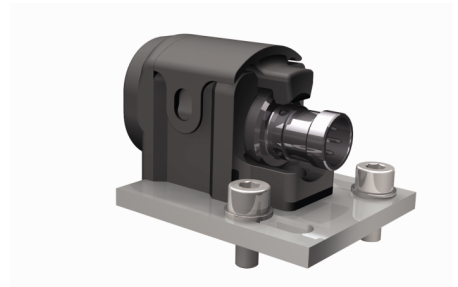
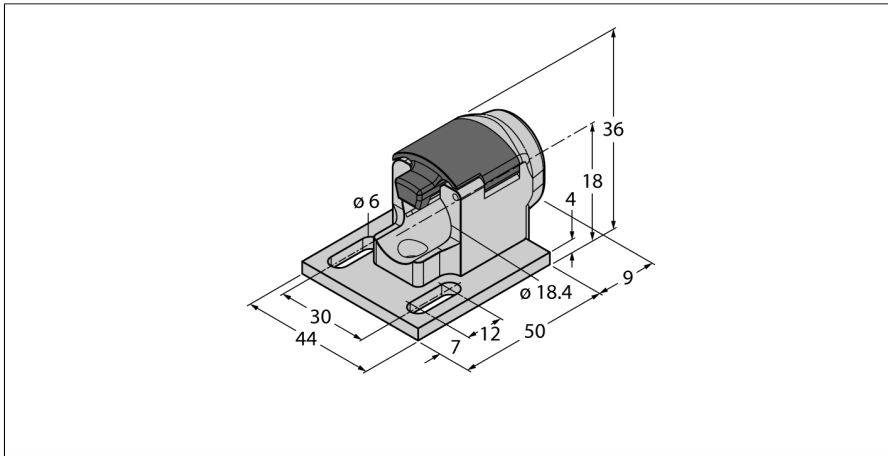


Mounting Accessories

Quick-Mount Bracket

BS-18Q40



- Mounting accessories for M18 × 1 sensors
- Suitable for all 52 mm Turck sensors and M12 connectors
- Tool-free quick-turn connection
- Abrasion-resistant, partially crystalline material
- Plastic polyamide PA6-GK30 and PA-GF50
- Base plate 44 x 50: CNOMO I1C40-compatible

Type	BS-18Q40
ID	100000261
Design	Accessories for threaded barrel, M18
Dimensions	59 x 44 x 36 mm
Housing material	Plastic, PA, Black
Included in delivery	1 x CK40 aluminum base plate

General description

The quick-mount bracket BS-18Q40 consists of the actual installation aid, which can be opened and closed by a hinge mechanism without tools, and a 44 x 50 base plate for installation inside the plant. Suitable for installation of all Turck cylinder-type sensors with a diameter of 18 mm, a length of 52 mm and M12 male connector, both inductive-flush and non-inductive-flush.