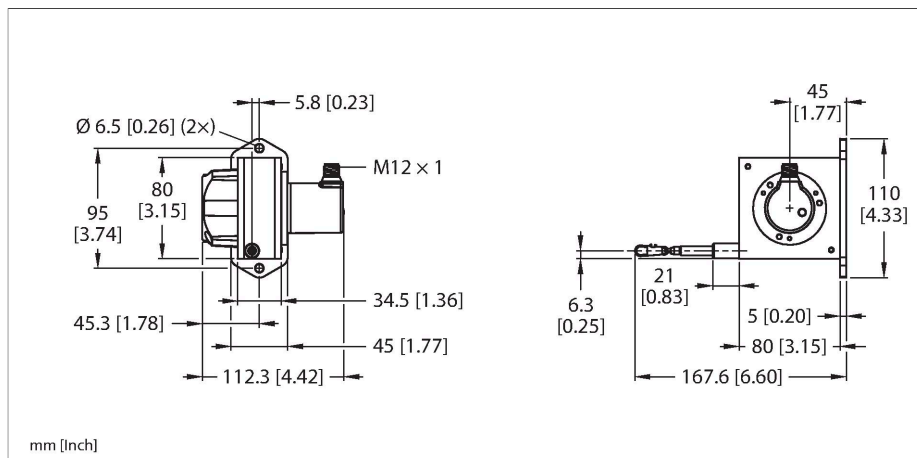


DWE-E-1000-110-116-7A-H1151

Draw-Wire



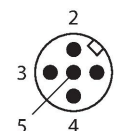
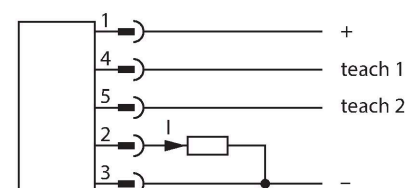
Technical data

Type	DWE-E-1000-110-116-7A-H1151
ID	100049319
Measuring principle	Magnetic
General data	
Measuring range	1000 mm
Linearity deviation	≤ 0.05 %
Output type	Analog
Electrical data	
Operating voltage U_B	10...30 VDC
No-load current	≤ 38 mA
Short-circuit protection	yes
Wire break/reverse polarity protection	yes
Output function	Analog output
Current output	4...20 mA
DA converter resolution	12 Bit
Mechanical data	
Design	Draw Wire
Housing material	Titanium anodized aluminium
Encoder housing material	Die-cast zinc
min. extension force	4.2 N
max. extension force	5.4 N
max. extension speed	10 m/s
Pull acceleration max.	140 m/s ²
wire material	Stainless steel
Electrical connection	Connector, M12 × 1
Environmental conditions	
Ambient temperature	-20...+85 °C

Features

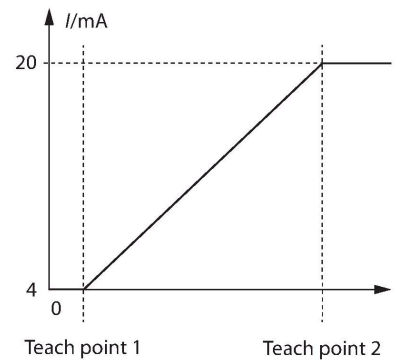
- Highly dynamic draw-wire sensor
- With permanently installed analog encoder from the REM-116 product series
- Measuring principle: magnetic
- Measuring range can be scaled via teach inputs
- Teach point 1: Ub to pin 4 for > 1 s
- Teach point 2: Ub to pin 5 for > 1 s
- Sensor protection class IP65
- -20...+85 °C
- 10...30 VDC
- Analog output, 4...20 mA
- M12 × 1 connector, 5-pin

Wiring diagram



Technical data

Protection class IP65



Measuring range settings

Only actuate the teach inputs when the shaft is at a standstill.

Bridge between Ub (pin 1) and	Teach input teach 1 (pin 4)	Teach input teach 2 (pin 5)	LED
>1 second	Set start point of measuring range		The green LED flashes once
>1 second		Set end point of measuring range. The measuring range must be >21 mm. A start point must have been set beforehand.	The green LED flashes three times
>1 second	Reset to factory setting. Connect teach 1 and teach 2 to UB simultaneously.		The LED flashes green, red, green

If the teach inputs are not used, they should be set to 0 V (GND ground) to avoid faults.

Accessories

RDR-1

1544753

Deflection roller for aluminium draw-wire sensors

