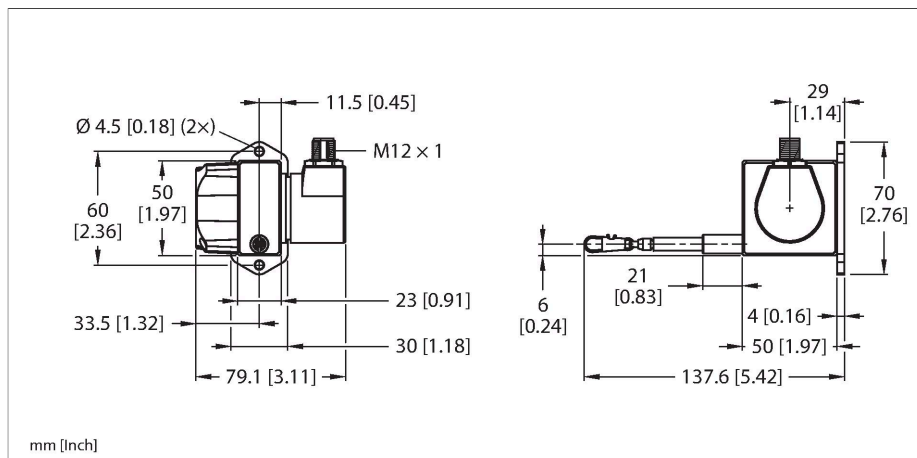


DWE-250-70-04-2H2500-H1181

Draw-Wire



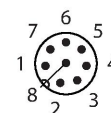
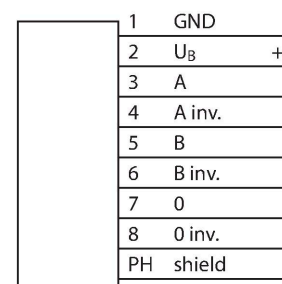
Technical data

Type	DWE-250-70-04-2H2500-H1181
ID	100049329
Measuring principle	Optical
General data	
Measuring range	250 mm
Linearity deviation	≤ 0.05 %
Output type	Incremental
Electrical data	
Operating voltage U_B	8...30 VDC
No-load current	≤ 40 mA
Output current	≤ 50 mA
Short-circuit protection	yes
Wire break/reverse polarity protection	yes (voltage supply)
Pulse frequency max.	200 kHz
Signal level high	min. $U_B - 3$ V
Signal level low	max. 0.5 V
Output function	Push-Pull/HTL, invertable
Mechanical data	
Design	Draw Wire
Housing material	Titanium anodized aluminium
Encoder housing material	Aluminum chromated
min. extension force	5.6 N
max. extension force	7.2 N
max. extension speed	8 m/s
Pull acceleration max.	250 m/s ²
wire material	Stainless steel
Electrical connection	Connector, M12 × 1

Features

- Compact, highly dynamic draw-wire sensor
- Measuring principle: optical
- With permanently installed incremental encoder
- Sensor protection class IP65
- -20...+85 °C
- 8...30 VDC
- Push-pull/HTL with inversion
- Pulse frequency max. 200 kHz
- M12 × 1 connector, 8-pin
- 20 pulses per mm
- Resolution 0.05 mm

Wiring diagram

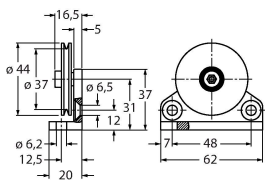


Technical data

Environmental conditions	
Ambient temperature	-20...+85 °C
Protection class	IP65

Accessories

RDR-1	1544753
Deflection roller for aluminium draw-wire sensors	



Accessories

Dimension drawing	Type	ID	
	RKC8T-2/TXL	6625142	Connection cable, M12 female connector, straight, 8-pin, cable length: 2 m, jacket material: PUR, black; cULus approval
	WKC8T-2/TXL	6625145	Connection cable, M12 female connector, angled, 8-pin, cable length: 2 m, jacket material: PUR, black; cULus approval