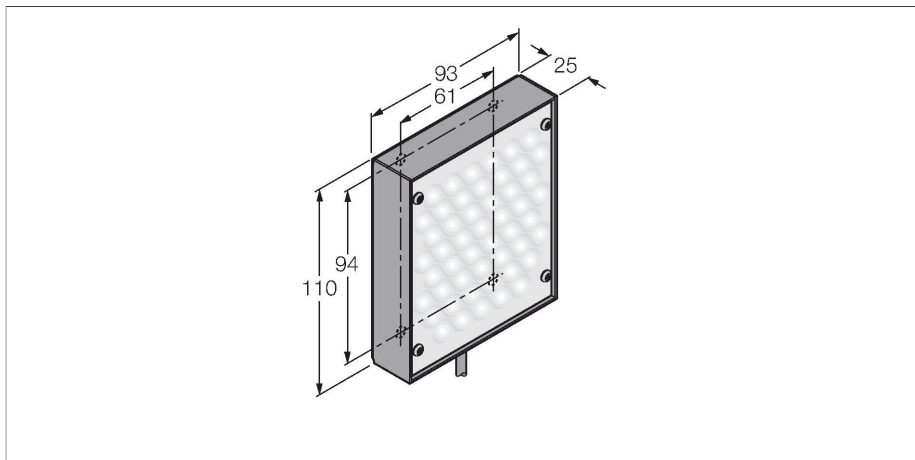


LEDIA80X80W

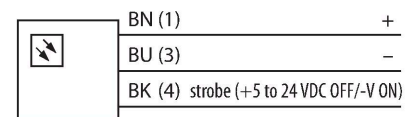
Vision System – Area Light



Features

- Close-range illumination
- Light intensity, adjustable
- Protection class: IP20
- Color: infrared
- Power supply: 24 VDC
- Cable, 2 m

Wiring diagram



Technical data

Type	LEDIA80X80W
ID	3002902
Signal and display data	
Purpose	Image processing
Function	Area light
Light type	IR
Wavelength	850...940 nm
LED service life (L70)	10000 h
Electrical data	
Operating voltage U_b	24...250 VDC
DC rated operating current I_o	≤ 250 mA
Mechanical data	
Design	Rectangular
Dimensions	110.4 x 92.6 x 27.6 mm
Housing material	Metal, Low-carbon steel
Window material	Plastic, clear
Electrical connection	Cable, 2 m
Ambient temperature	0...+50 °C
Protection class	IP40
Tests/approvals	
Approvals	CE, cULus listed

Functional principle

Area lights are perfectly suited for uniform illumination of a determined area.